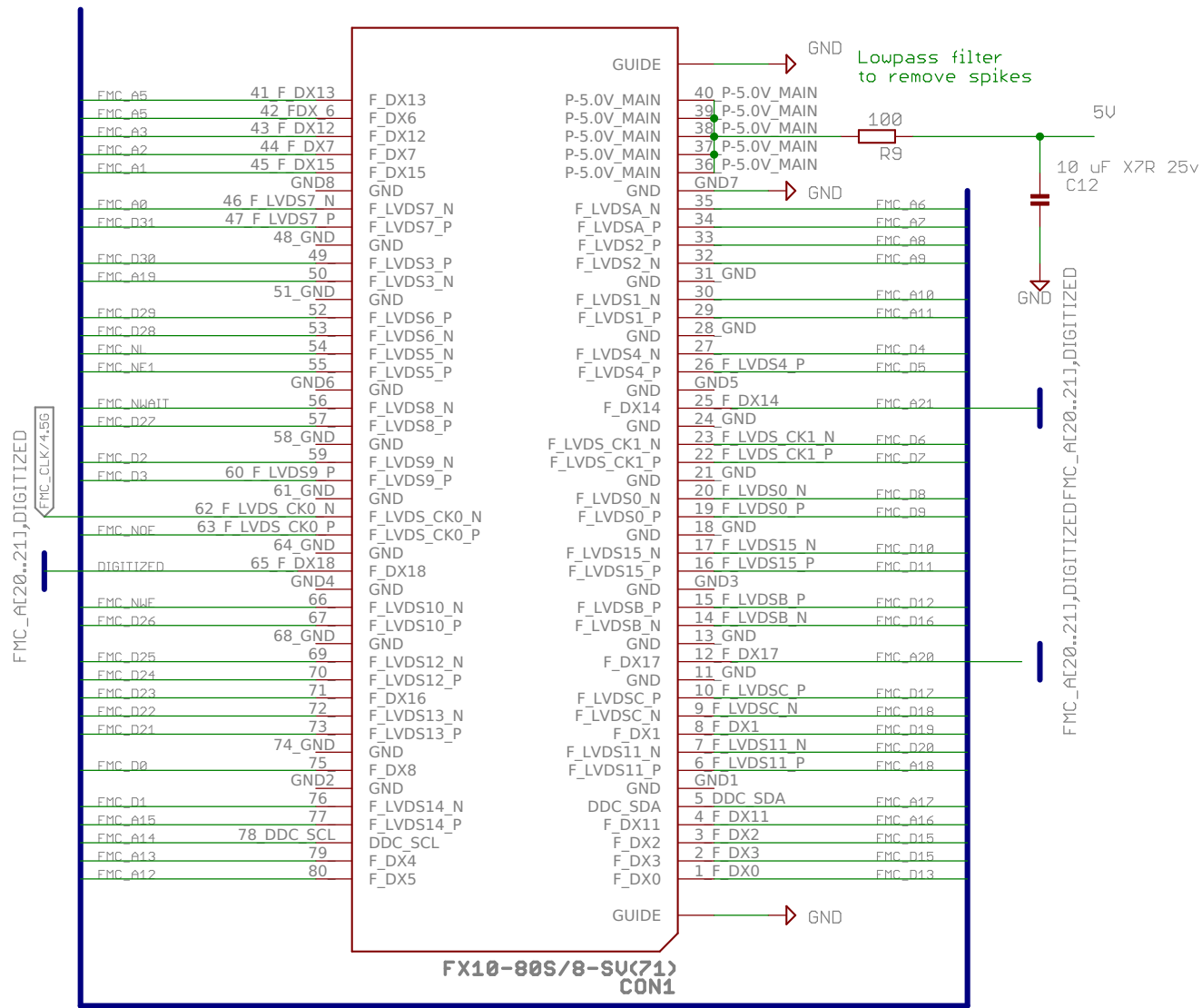
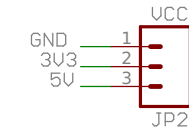
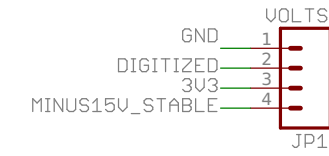


Novena FPGA connector

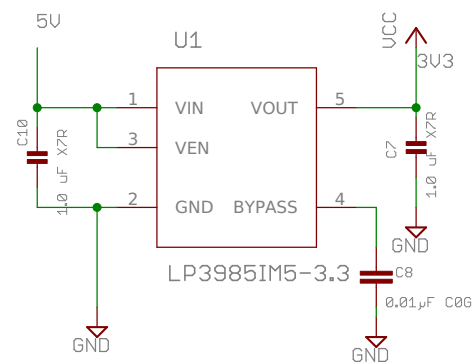
FMC_D[0..31],FMC_A[0..19],FMC_NE1,FMC_NOE,FMC_NWE,FMC_NL,FMC_NWAIT



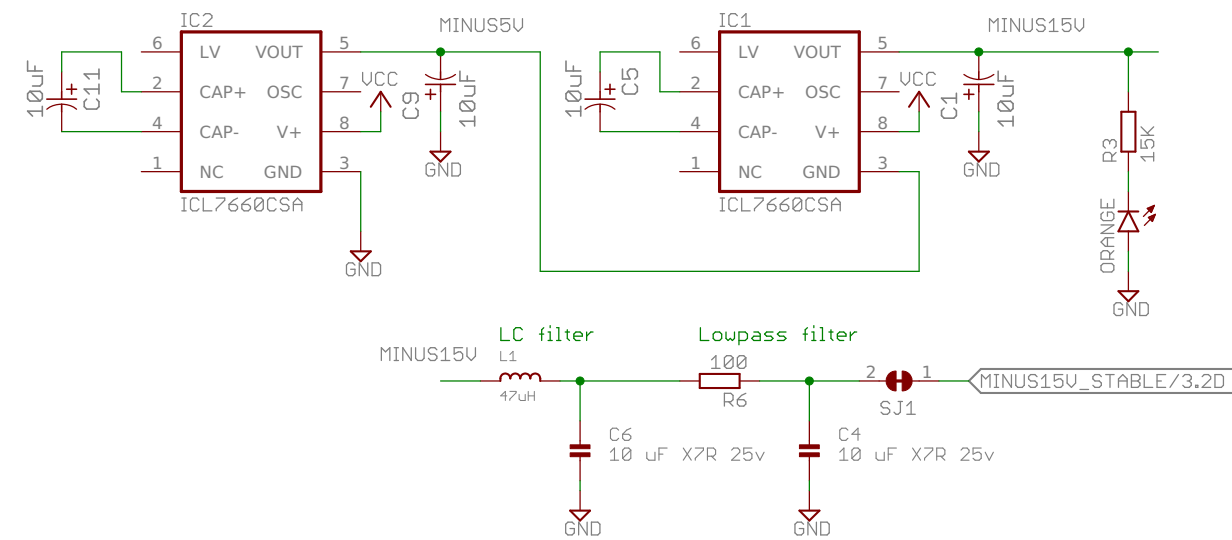
Extra



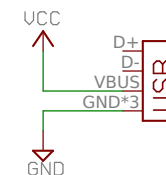
VCC 3.3V regulator



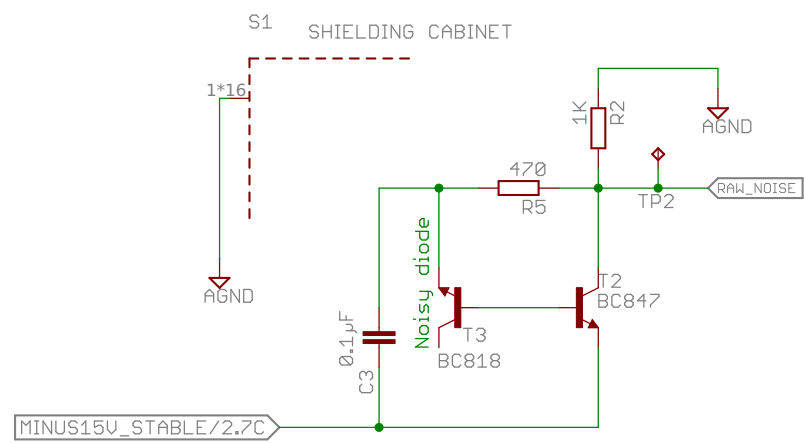
DC/DC converter producing -15v for Noise source



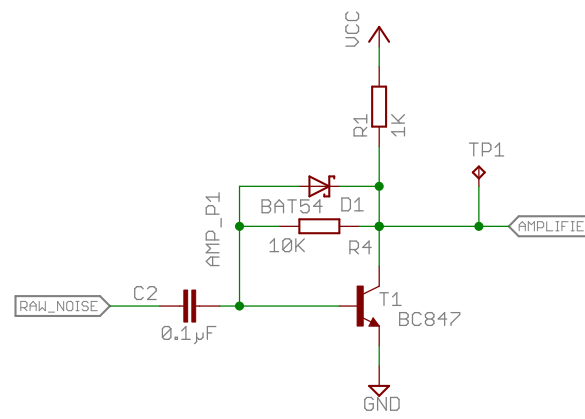
Optionally power whole board using micro USB connector



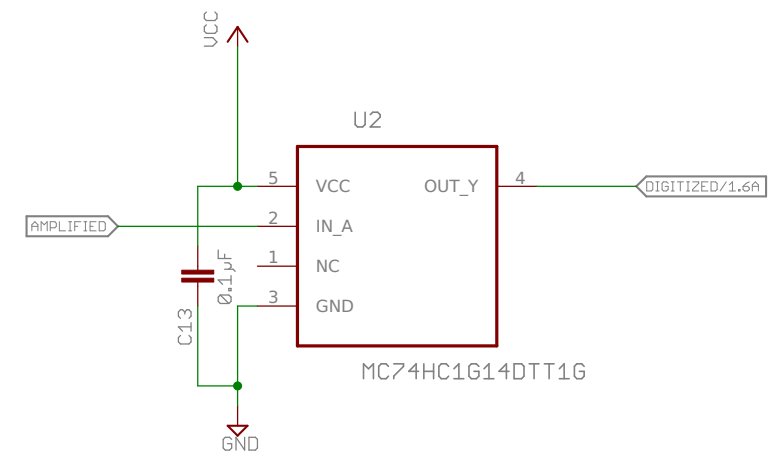
Noise generator

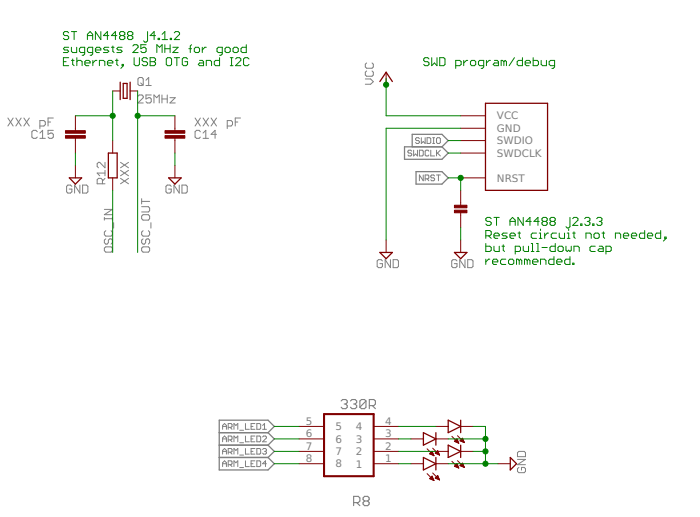
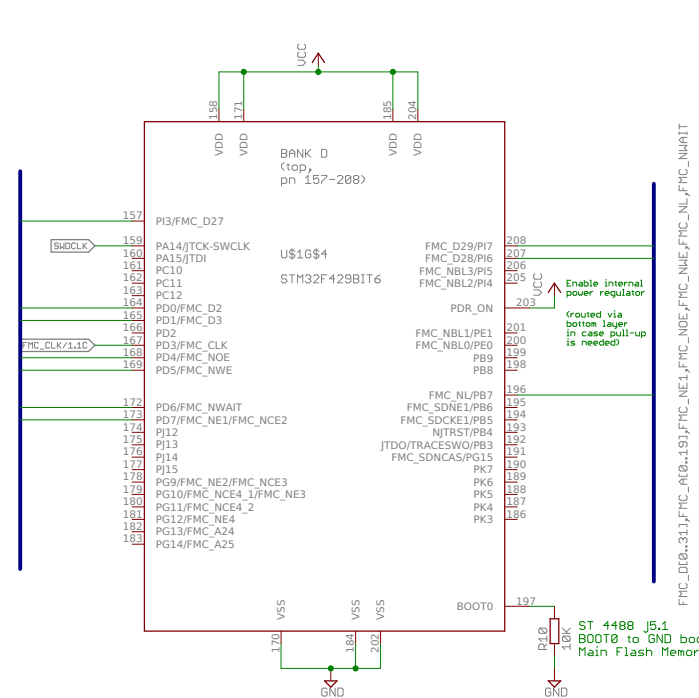
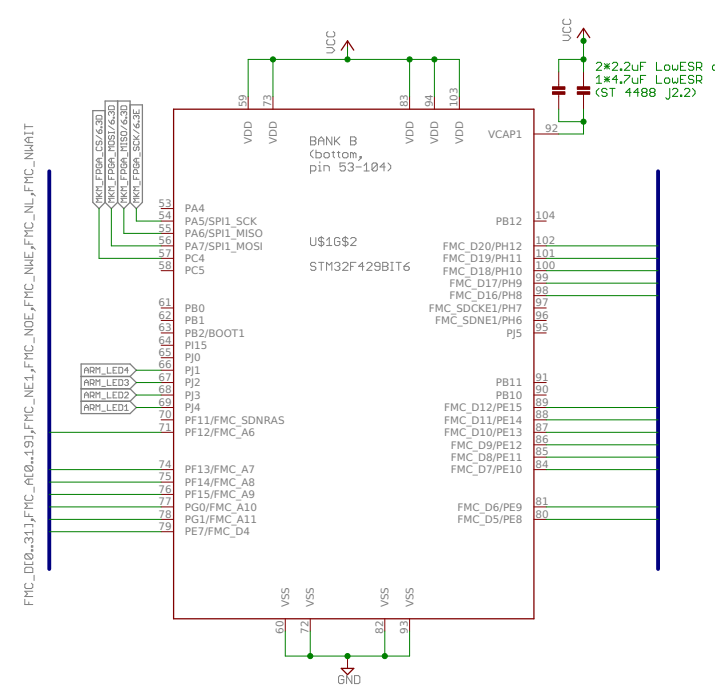
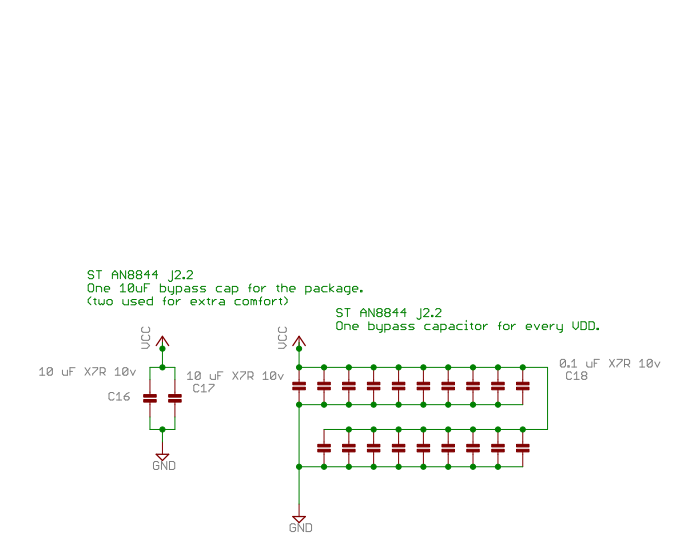
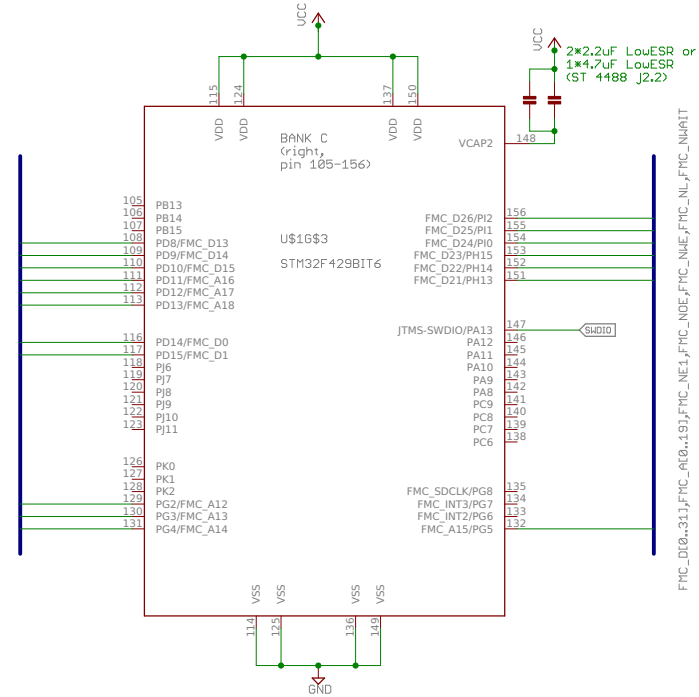
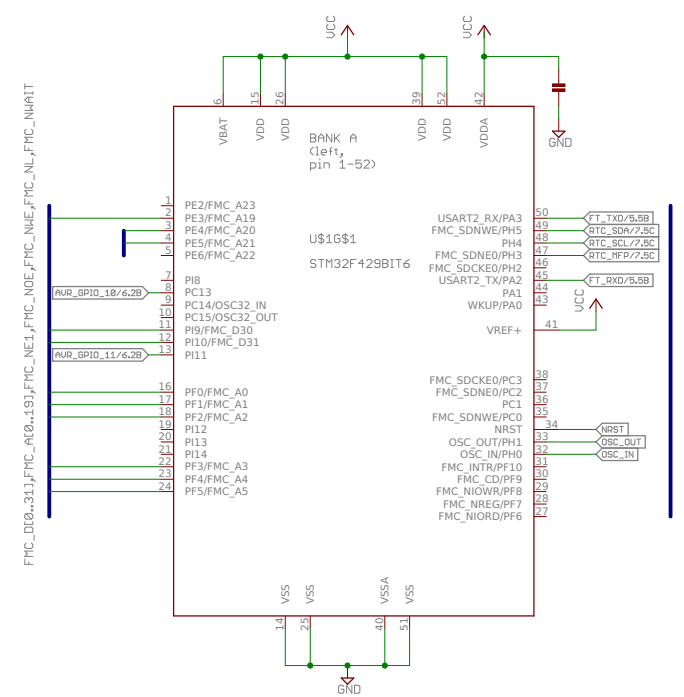


Amplifier



Digitizer





TITLE: rev01	
Document Number:	REV:
Date: 22 Jun 2015 21:27:23	Sheet: 4/7

A

B

C

D

E

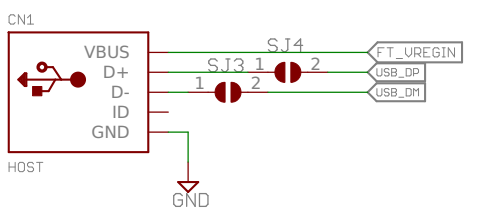
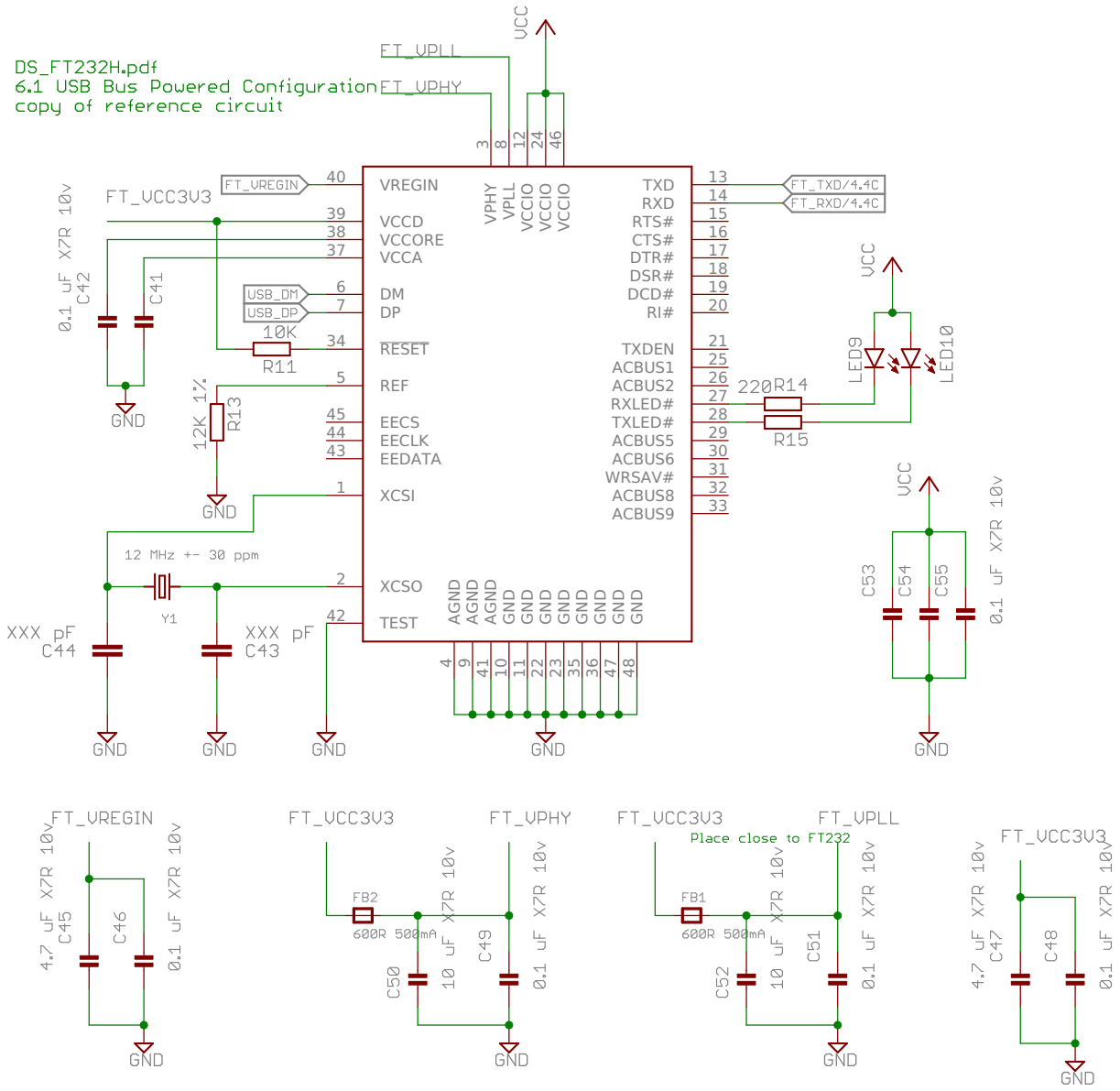
A

B

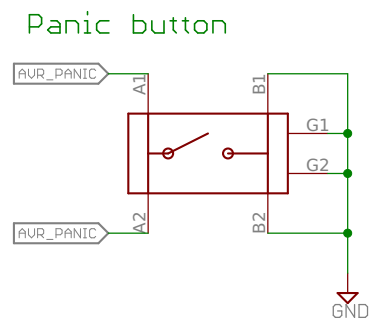
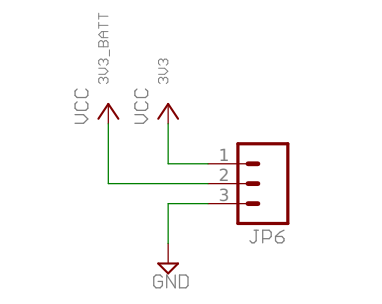
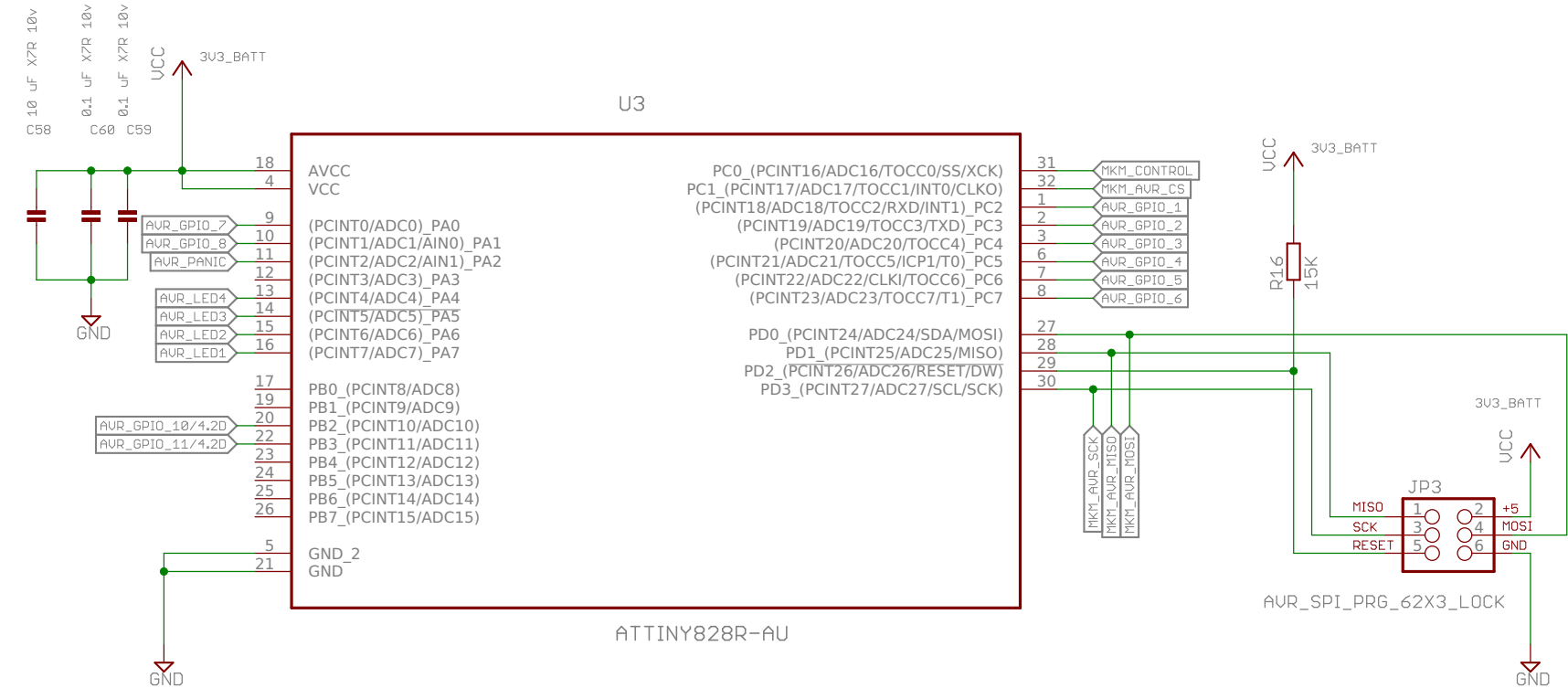
C

D

E

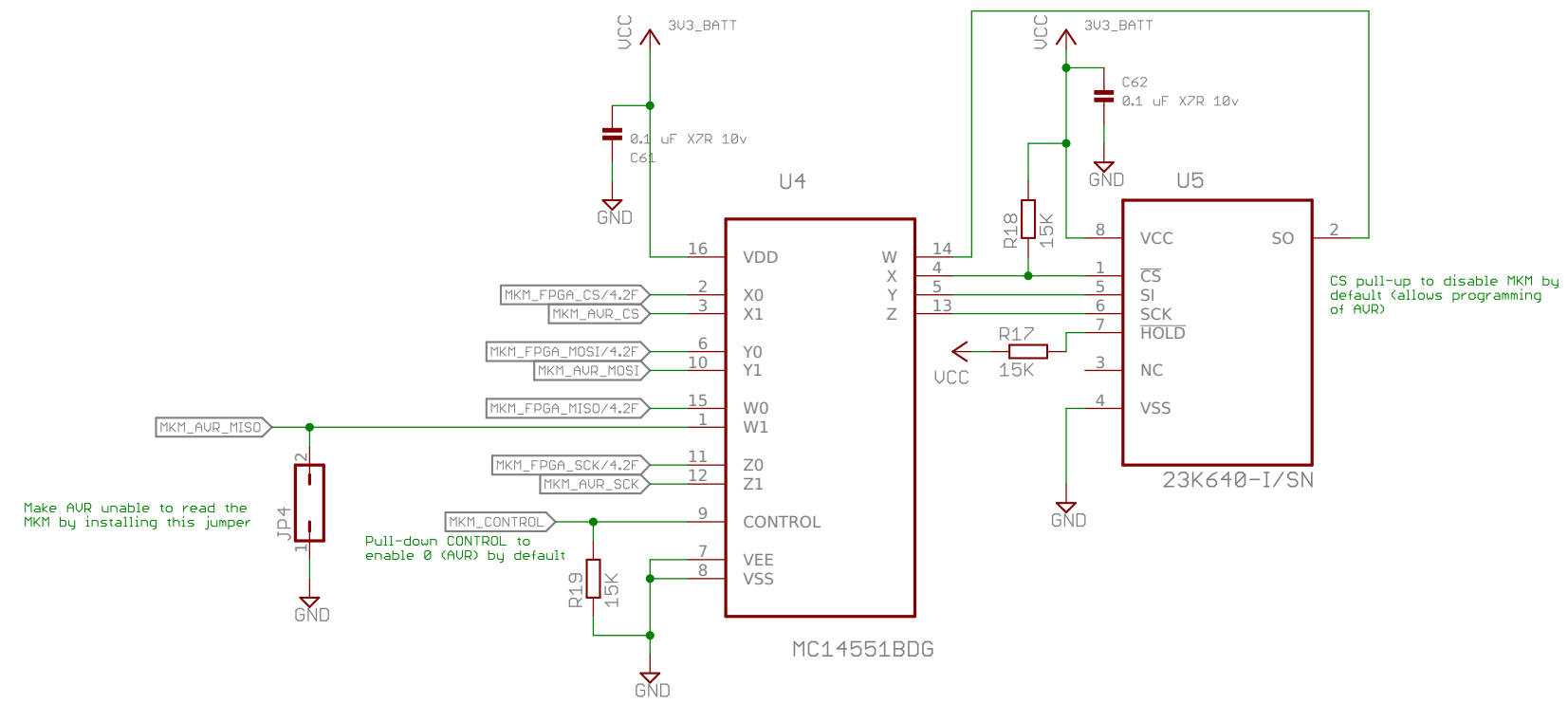


AVR Tiny Tamper Detect MCU



Analog switch

Master Key Memory



Expansion GPIO

