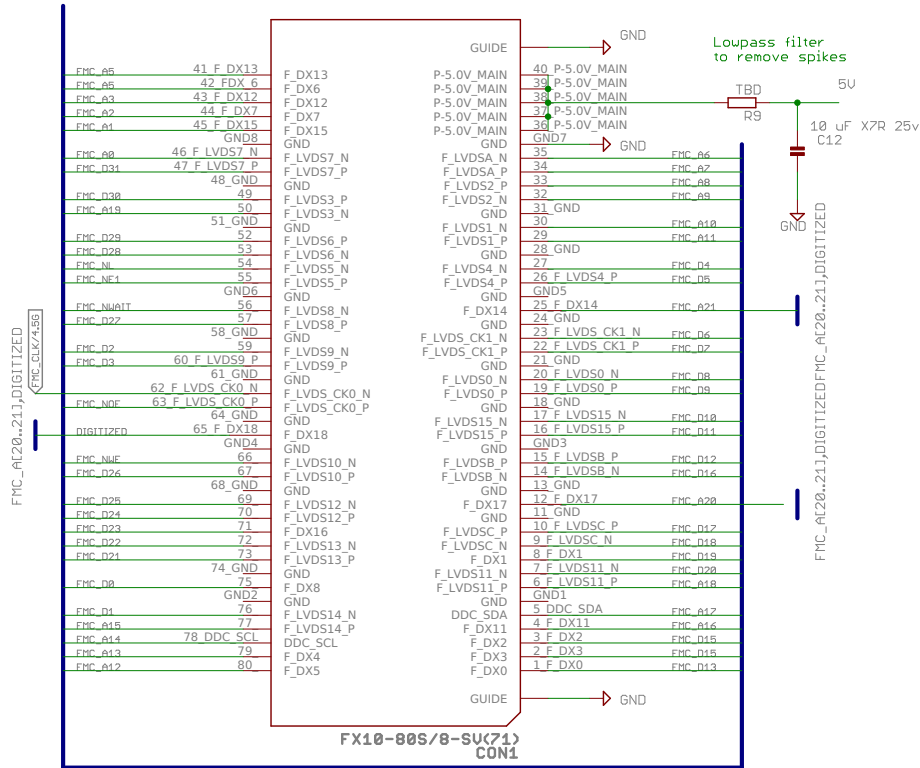
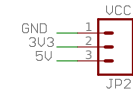
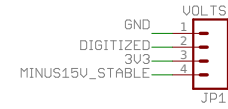


Novena FPGA connector

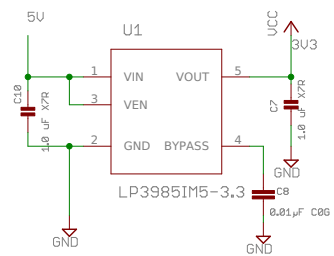
FMC_D0..311,FMC_A0..19,FMC_NE1,FMC_NOE,FMC_NWE,FMC_NL,FMC_NWAIT



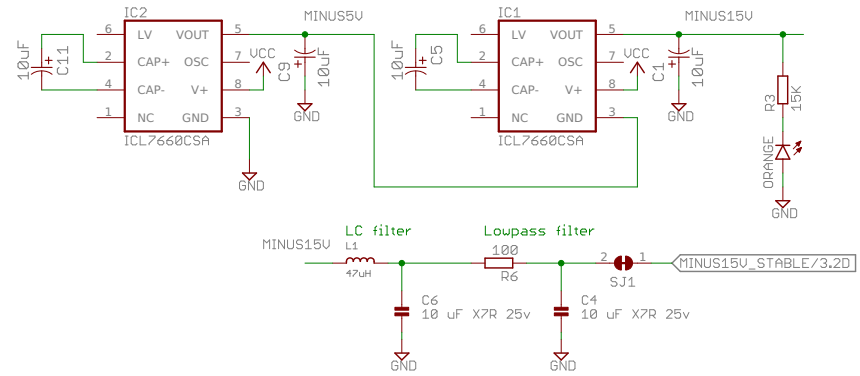
Extra



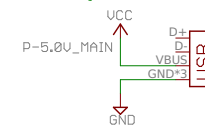
UCC 3.3V regulator



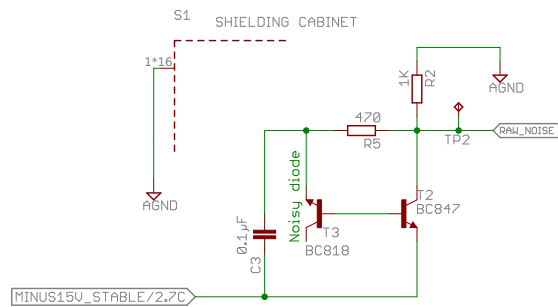
DC/DC converter producing -15v for Noise source



Optionally power whole board using micro USB connector

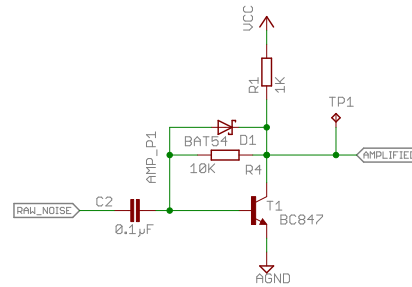


Noise generator

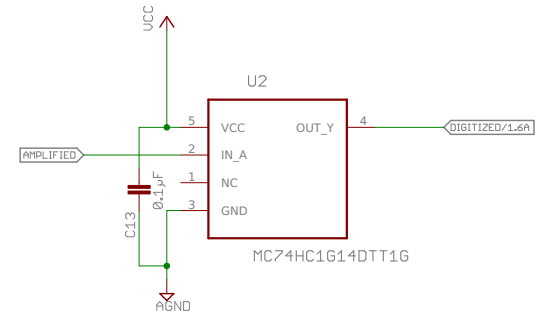


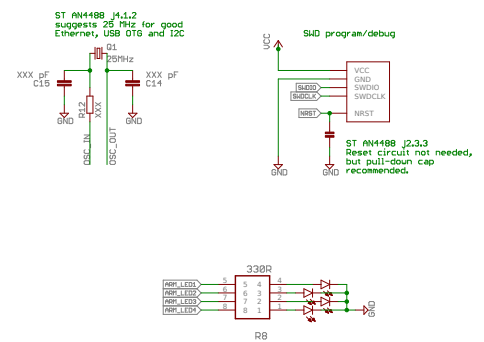
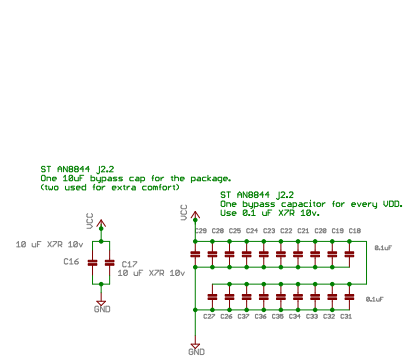
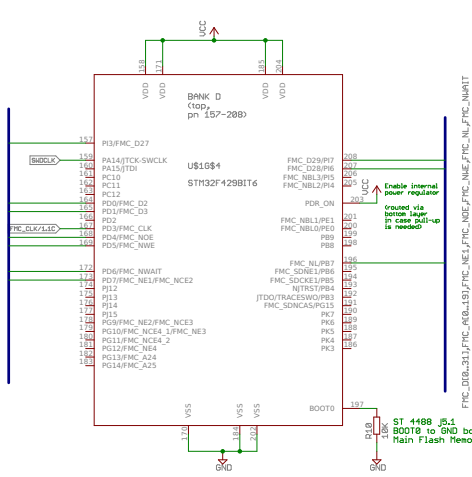
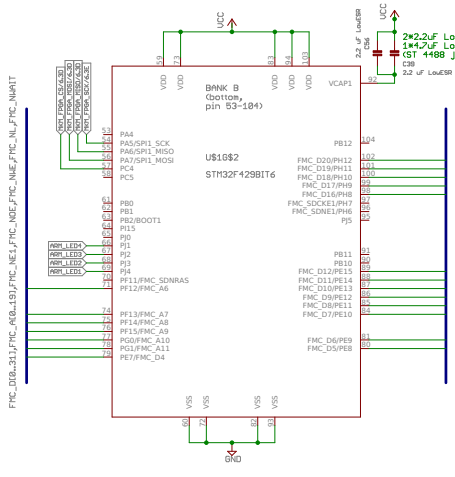
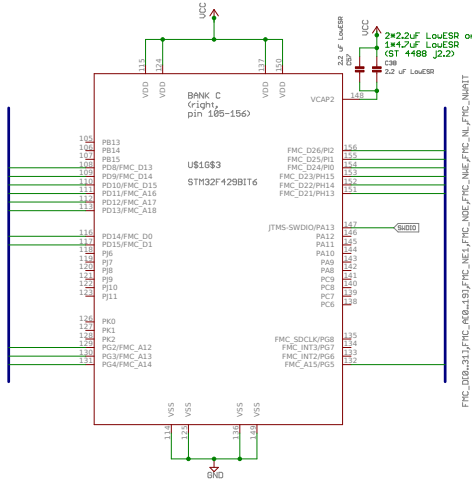
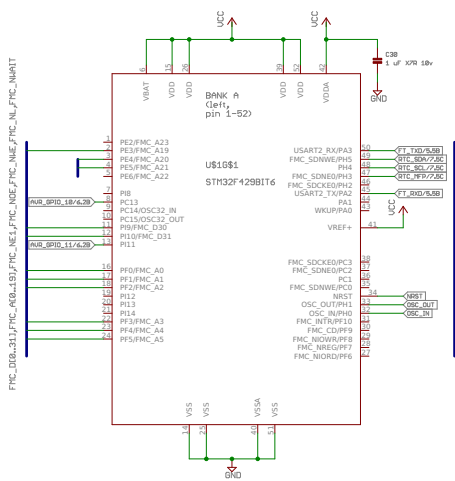
AGND is connected to GND on the board using polygons (found no other good way) - not visible in schematics.

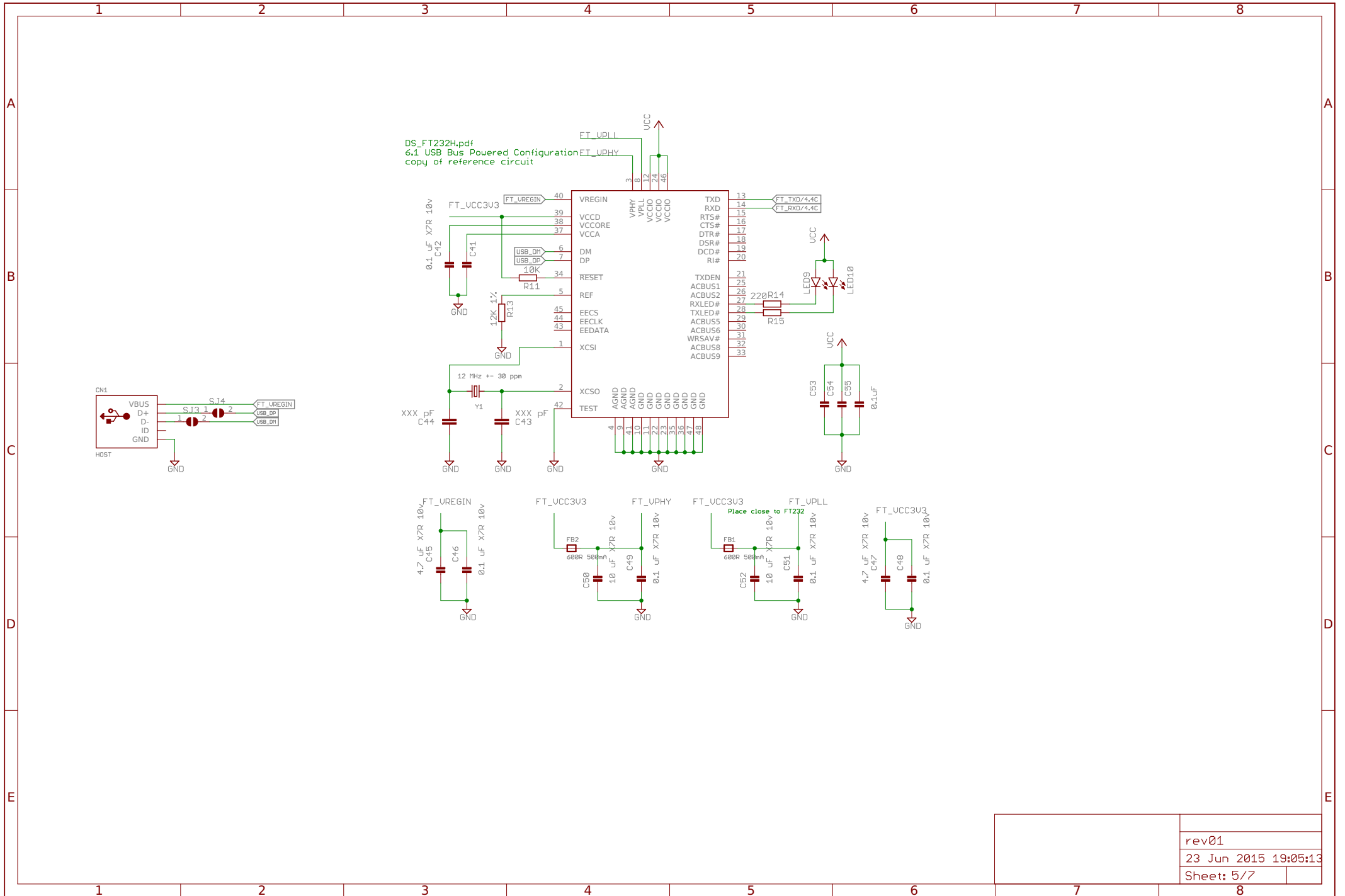
Amplifier



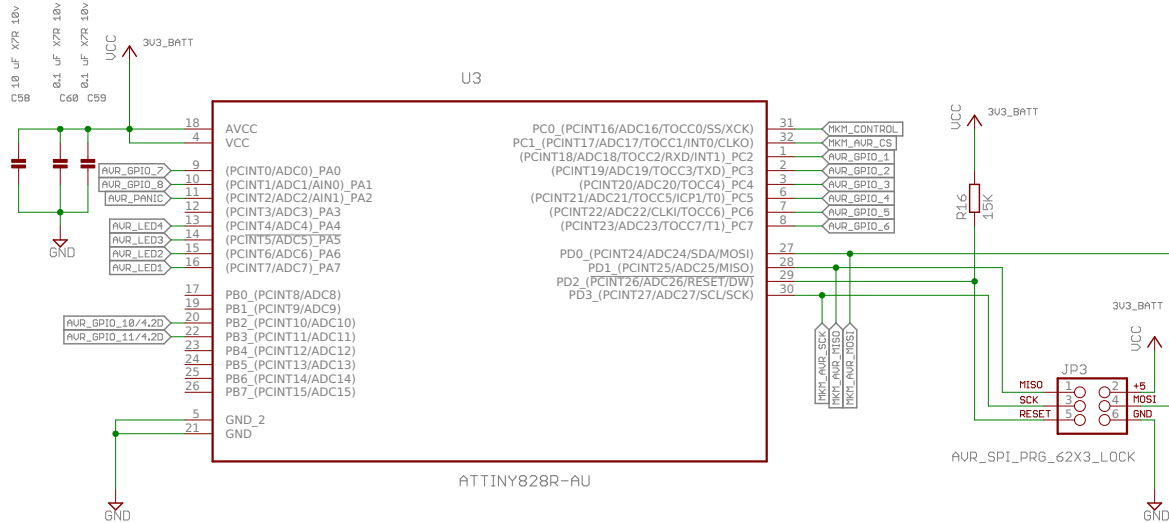
Digitizer



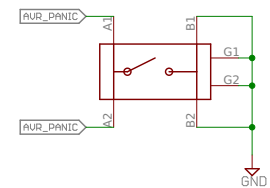




AVR Tiny Tamper Detect MCU

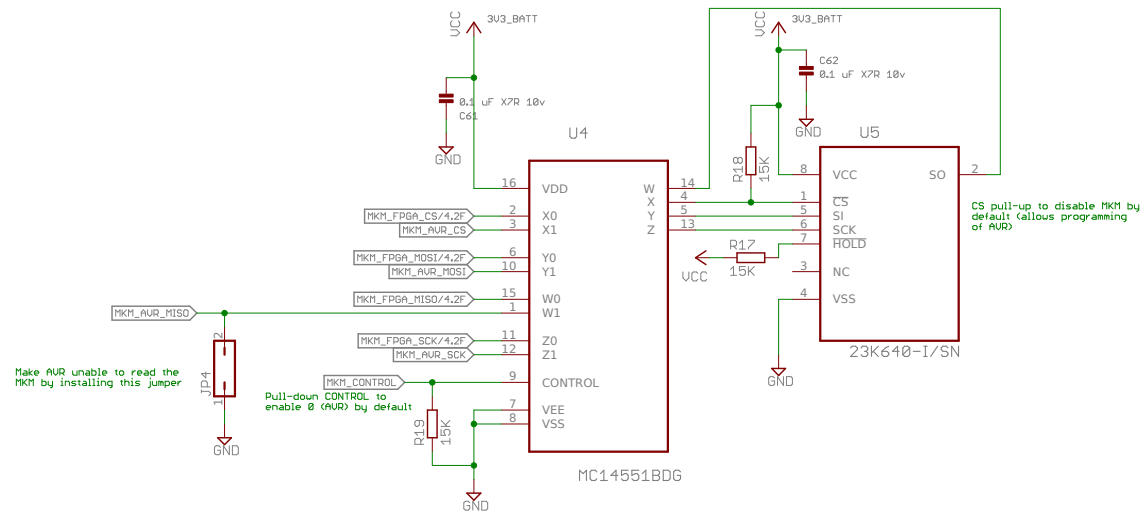


Panic button

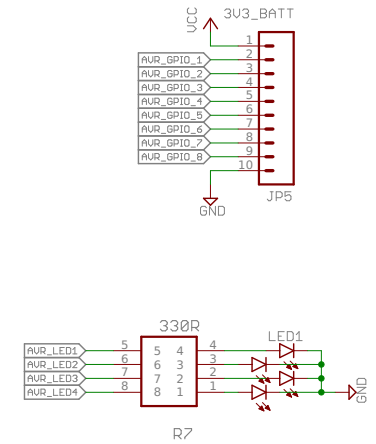


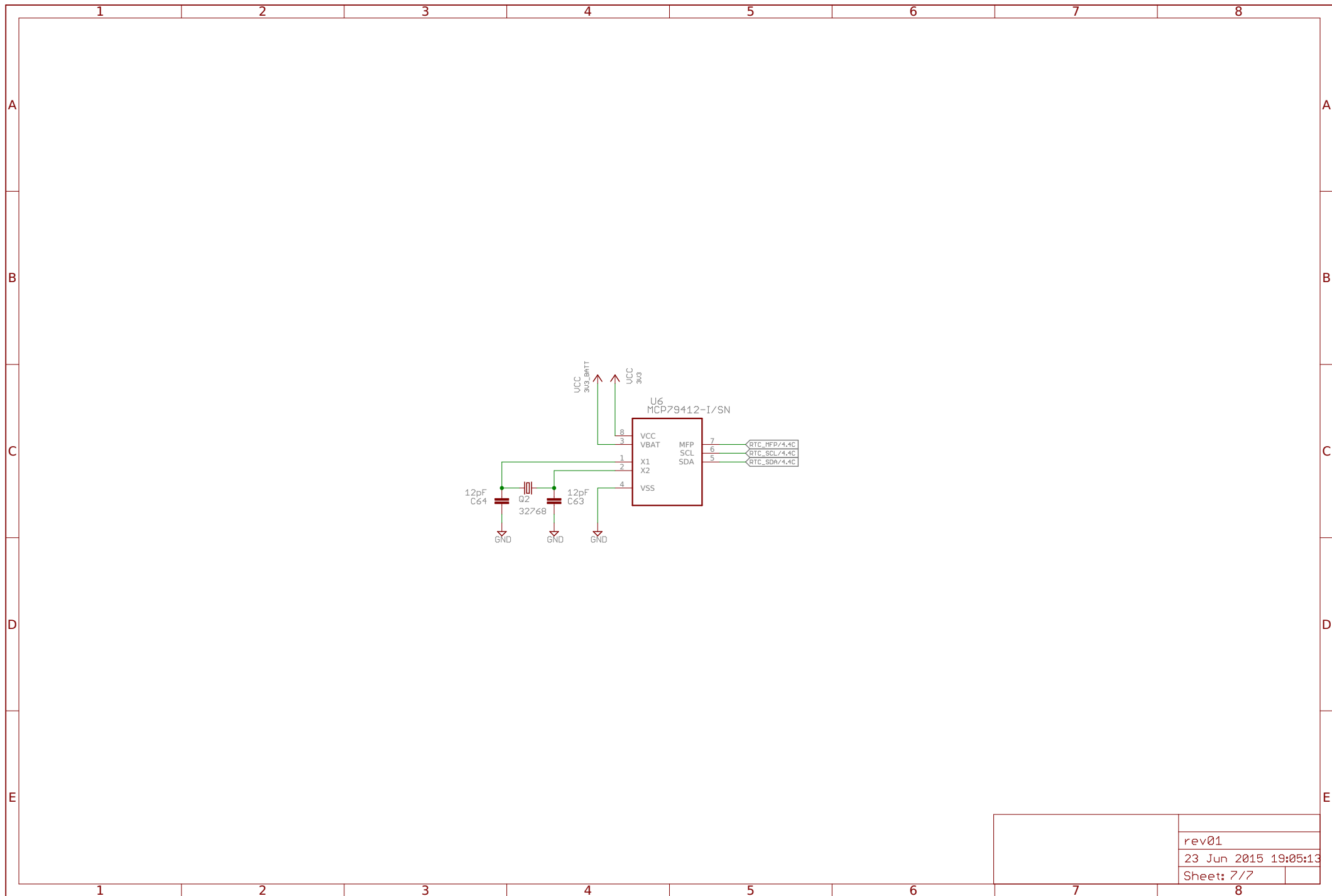
Analog switch

Master Key Memory



Expansion GPIO





rev01
23 Jun 2015 19:05:13
Sheet: 7/7